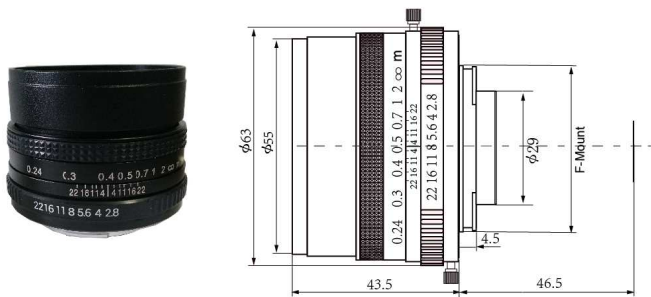
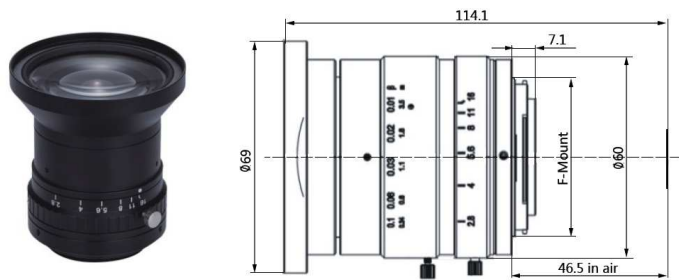


SA-LF Series

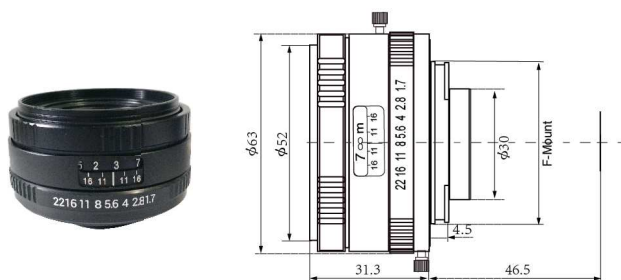
- High resolution line scan lens with F mount
 - Uniformity from the center to the edge of the lens
- Low distortion
 - Compact size and light weight



Model	SA-2428LF
Focal Length	24mm
Format	43mm
F NO.	F2.8 ~ F22
Iris	Manual
Angle of View(D)	84°
Distortion	<3%
M.O.D.	0.24m
Mount	F
Resolution	30lp/mm
Filter Size	M55 x P0.75mm
Dimension	φ63mm x 43.5mm



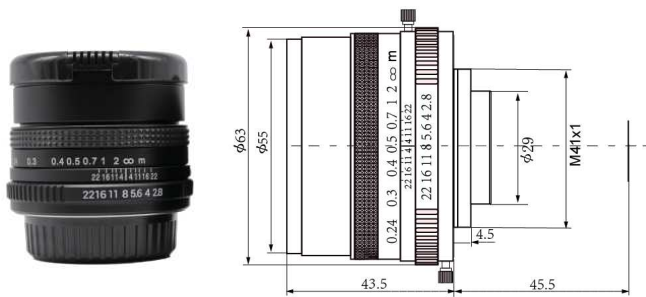
Model	SA-3528LF
Focal Length	35mm
Format	43mm
F NO.	F2.8 ~ F16
Iris	Manual
Angle of View(D)	63°
Distortion	<0.5%
M.O.D.	0.2m
Mount	F
Resolution	29MP
Filter Size	M67 x P0.75mm
Dimension	φ69mm x 67.6mm



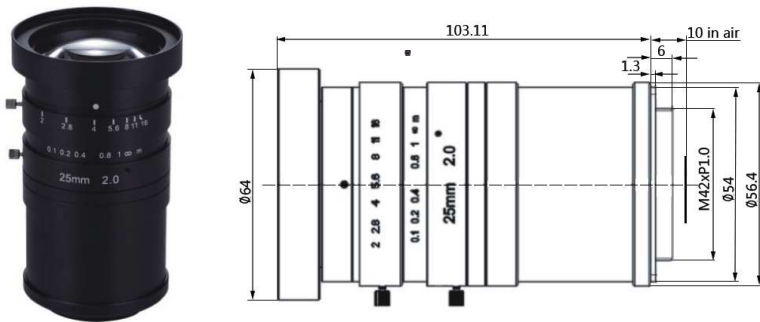
Model	SA-5017LF
Focal Length	50mm
Format	43mm
F NO.	F1.7 ~ F22
Iris	Manual
Angle of View(D)	46°
Distortion	<1%
M.O.D.	0.4m
Mount	F
Resolution	50lp/mm
Filter Size	M52 x P0.75mm
Dimension	φ63mm x 31.3mm

SA-LM42 Series

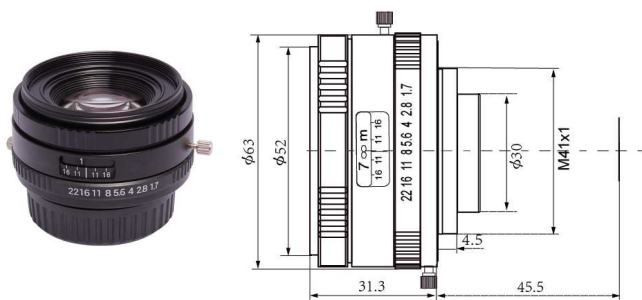
- High resolution line scan lens with M42x1 mount
- Low distortion
- Uniformity from the center to the edge of the lens
- Compact size and light weight



Model	SA-2428LM42
Focal Length	24mm
Format	43mm
F NO.	F2.8 ~ F22
Iris	Manual
Angle of View(D)	84°
Distortion	<3%
M.O.D.	0.24m
Mount	M42x1
Resolution	30lp/mm
Filter Size	M55 x P0.75mm
Dimension	φ63mm x 43.5mm



Model	SA-2520LM42
Focal Length	25mm
Format	28mm
F NO.	F2.0 ~ F16
Iris	Manual
Angle of View(D)	58.8°
Distortion	<1.5%
M.O.D.	0.3m
Mount	M42x1
Resolution	12MP
Filter Size	M62 x P0.75mm
Dimension	φ64mm x 103.11mm



Model	SA-5017LM42
Focal Length	50mm
Format	43mm
F NO.	F1.7 ~ F22
Iris	Manual
Angle of View(D)	46°
Distortion	<1%
M.O.D.	0.4m
Mount	M42x1
Resolution	50lp/mm
Filter Size	M52 x P0.75mm
Dimension	φ63mm x 31.3mm